

## EZO™ Embedded Flow Meter Totalizer Wiring diagram

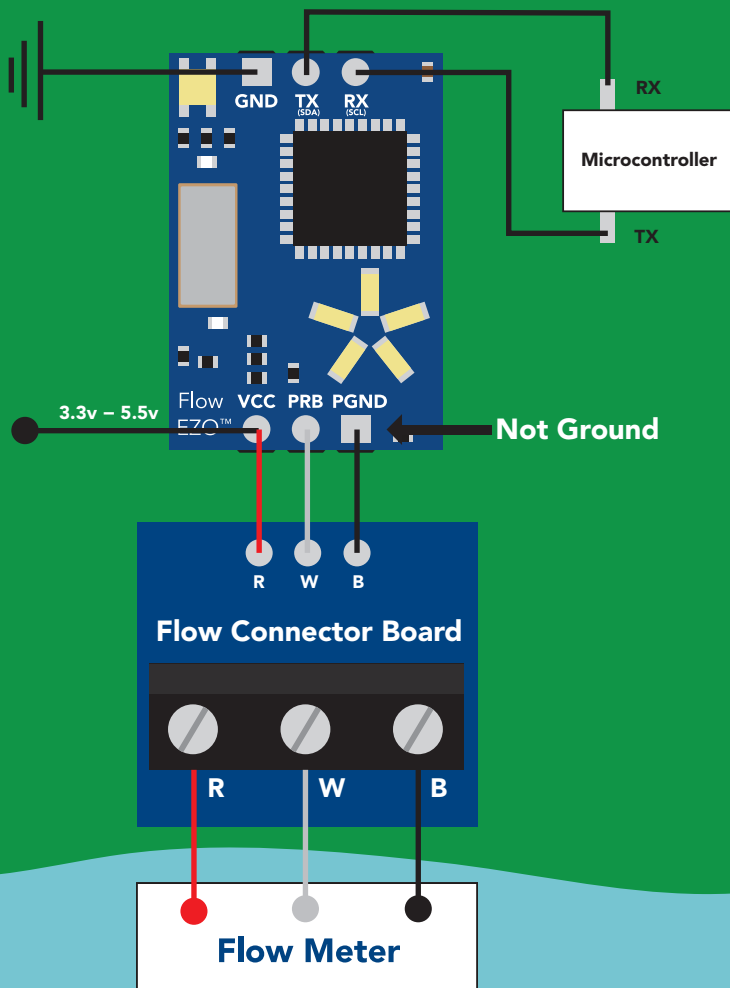
Revised 5/19



To connect an EZO™ Circuit to your microcontroller, follow the diagram below. Make sure the EZO™ Circuit and microcontroller share a common ground.

### UART Mode

TX on the EZO™ Circuit connects to RX on your microcontroller.



### I<sup>2</sup>C Mode

SDA on the EZO™ Circuit connects to SDA on your microcontroller.

SCL on the EZO™ Circuit connects to SCL on your microcontroller.

