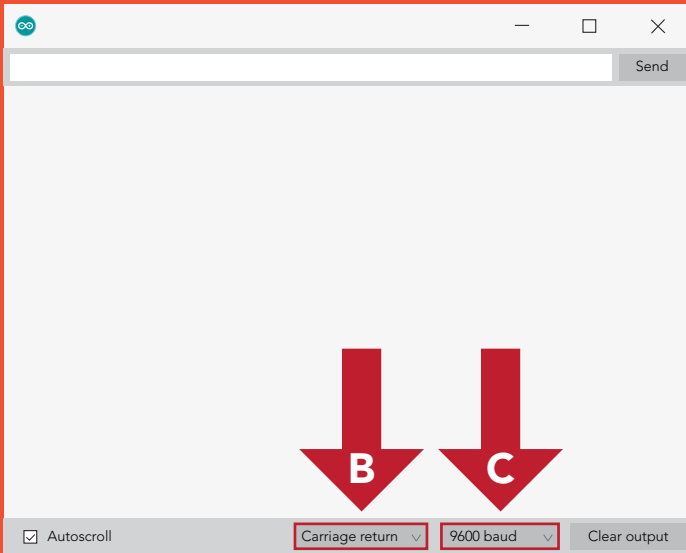


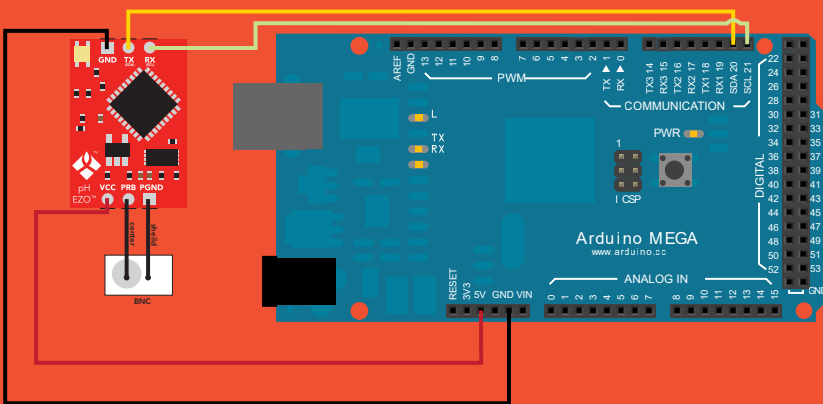
Arduino I²C
pH Sample Code
Revised 1/5/18



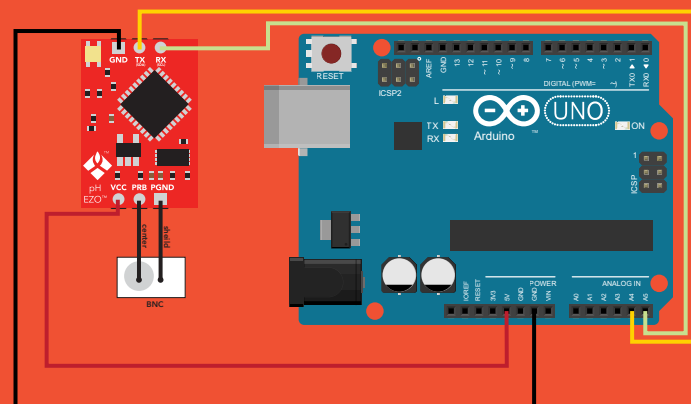
Setup

1. Flash Arduino with sample code.
2. Open serial monitor. (A)
3. Set to carriage return. (B)
4. Set 9600 baud. (C)

Arduino Mega



Arduino Uno



[Click here to download the sample code](#)