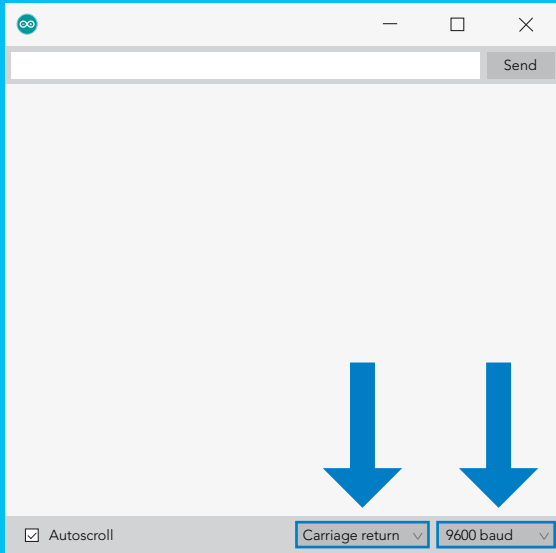
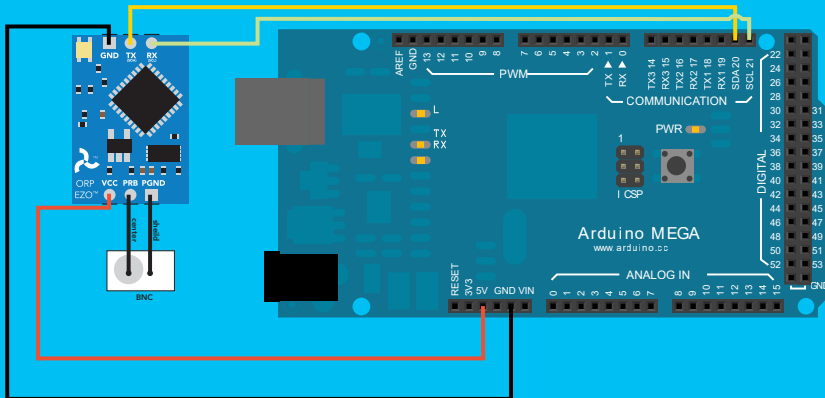


Arduino I²C
ORP Sample Code
Revised 9/14/16

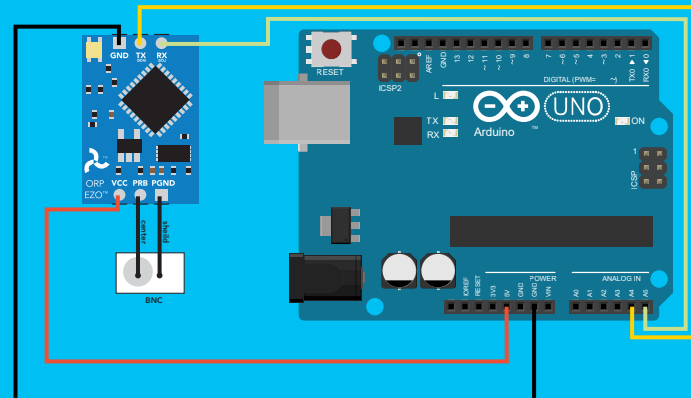


After flashing the Arduino with the code below, open the serial monitor and set it to append **carriage return** only and then set the baud rate to **9600**.

Arduino Mega



Arduino Uno



[Click here to download the sample code](#)