



SUPER EZ COM

This method of communication should be used for trouble shooting when you find that even with the sample code you just can't get your device working. This code will work on any Arduino and Arduino-Mega. **If you are using anything other than an official Arduino or Arduino-Mega this code may not work.**

Step 01

Flash your Arduino with this code.

```
void setup() {}  
void loop(){}
```

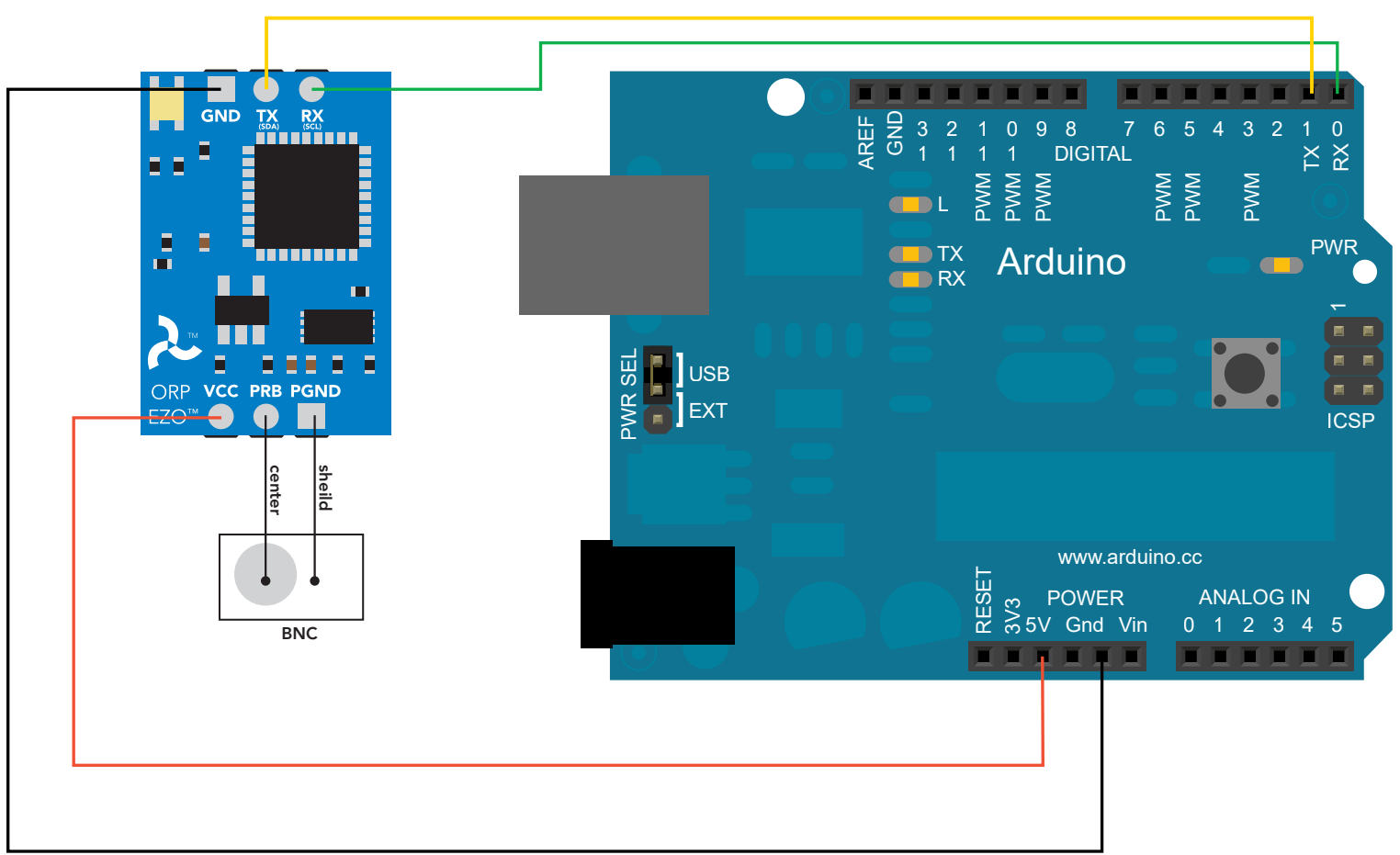
```
//this is the code  
//Yes, that's it. There is no more code.
```

Step 02

Connect your device as shown.

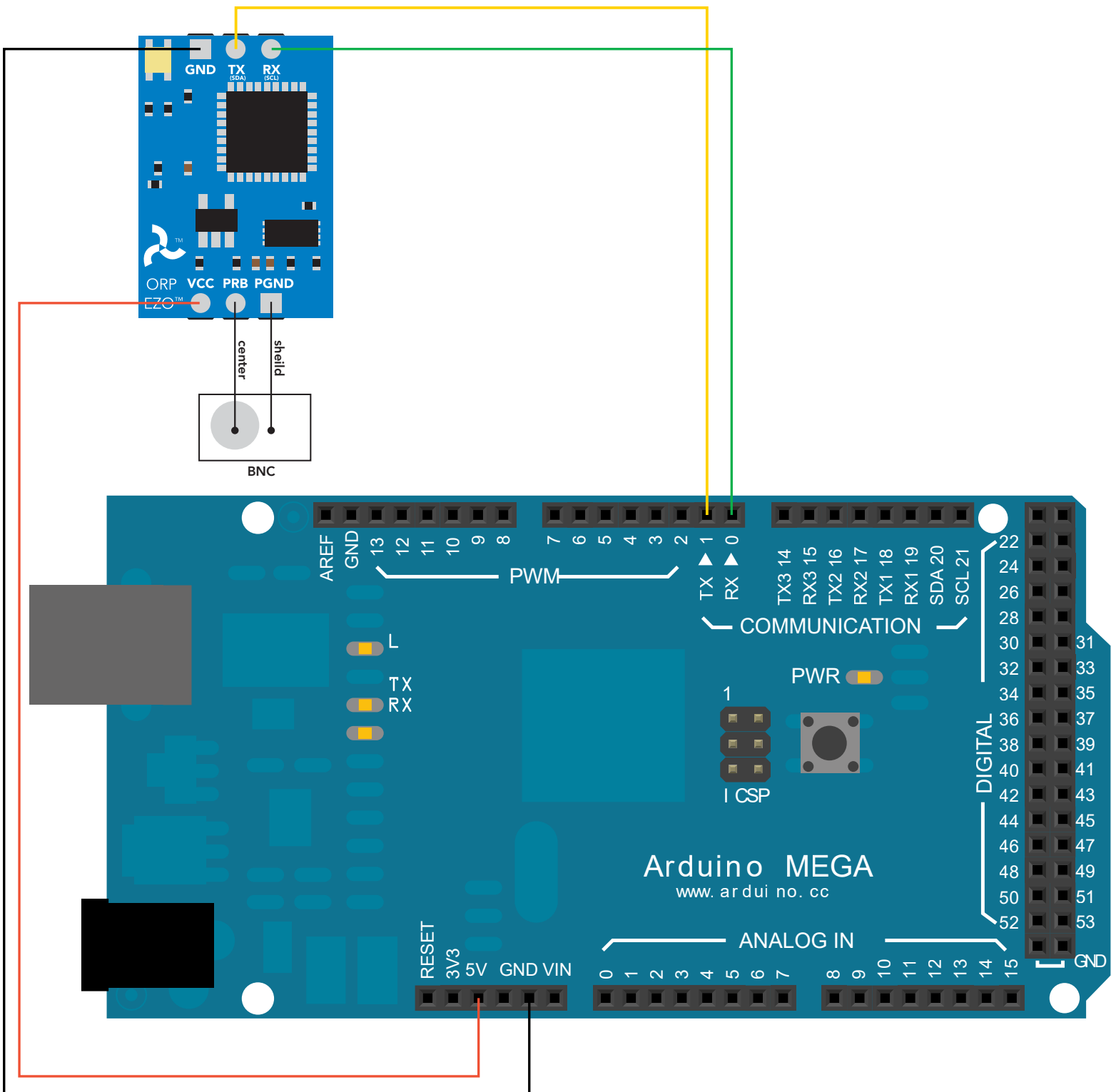
Arduino wiring diagram:

To use this code you must connect TX to TX and RX to RX.



Arduino-Mega wiring diagram:

To use this code you must connect TX to TX and RX to RX.



Step 03

Open your serial monitor to see the data. Make sure your baud rate has been set to 9600.

