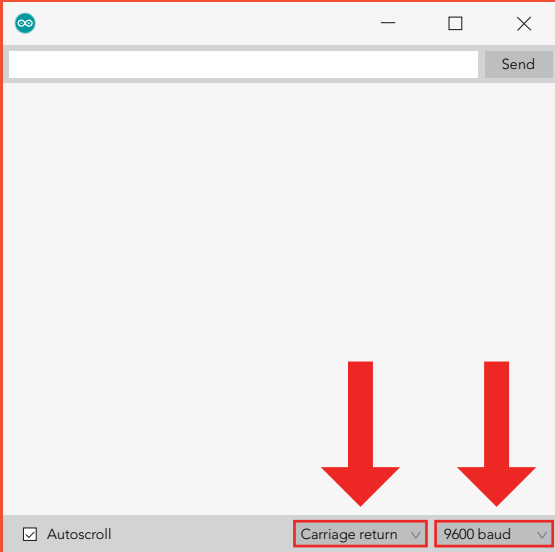


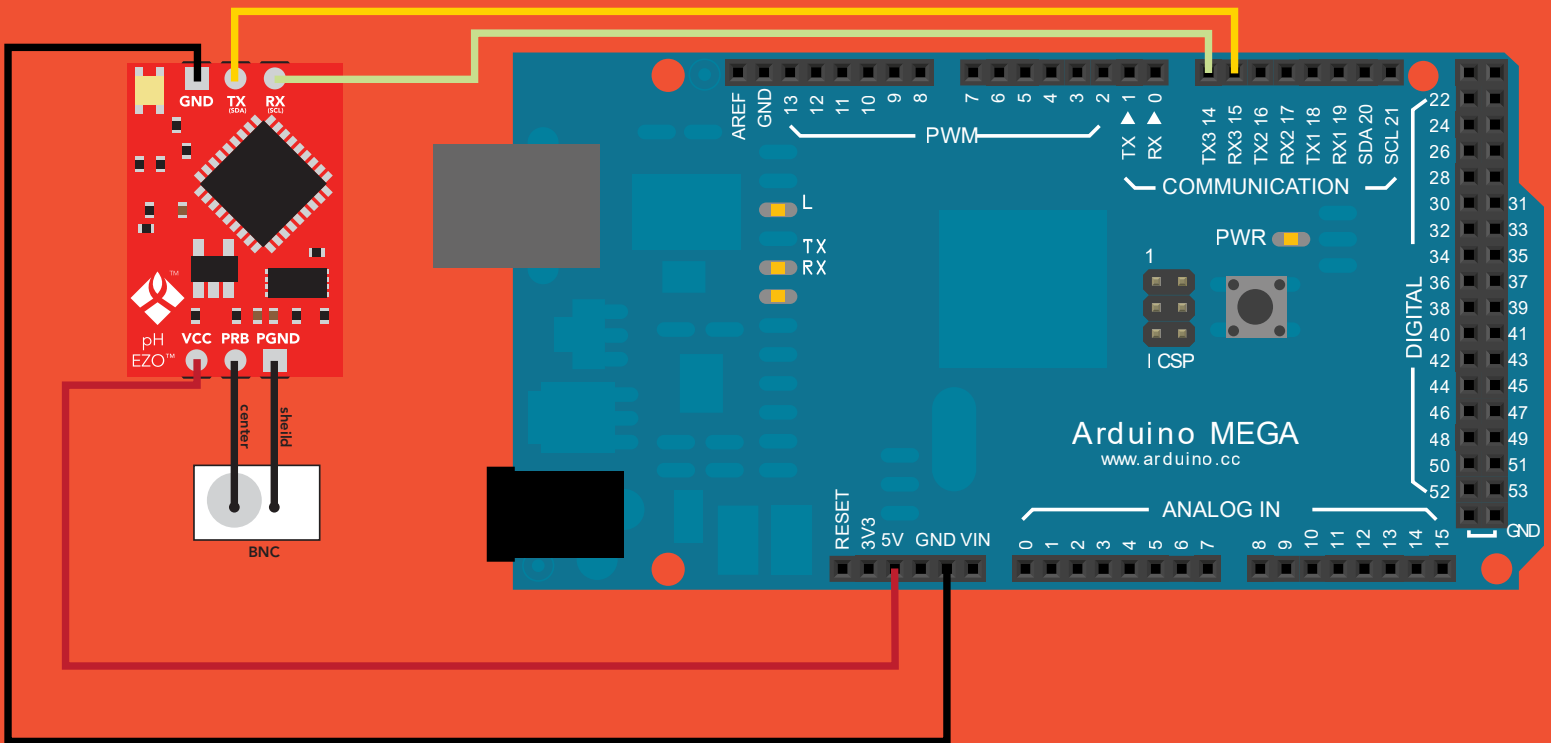
Arduino Mega

pH Sample Code

Revised 4/25/18



After flashing the Arduino with the code below, open the serial monitor and set it to append **carriage return** only and then set the baud rate to **9600**.



[Click here to download the sample code](#)